

WHAT'S NEW IN CMM-Manager Version 3.2



June 22, 2012

Nikon Metrology, Inc.

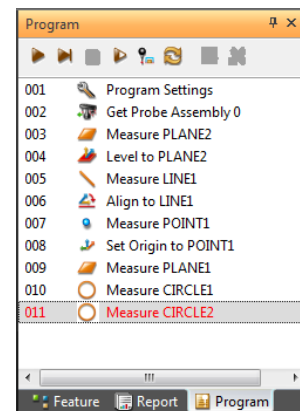
Nikon Metrology is pleased to announce the release of CMM-Manager version 3.2. This release adds the following major new features/functions/enhancements:

- User Interface Enhancements
- PH20 Probe Head Enhancements
- TESA Motorized Probe Head Support
- AS9102 Report Output
- Handheld / Portable Enhancements
- NIST Traceable Fitting Algorithm Test
- New CAD Display Option – Shaded Edge

See below for additional enhancements.

1. User Interface Enhancements

- Added Run Controls to Program Database Window
- Improved Ribbon Bar Layout
- Allow Customization of Ribbon Bar Buttons
- User can Save / Load Custom Layouts
- Master Unlock Edit Setting
 - Edit Programs without unlocking dialog or path



2. PH20 Probe Head Enhancements

- Allow PH20 Tip / Probe Calibration from CMM-Manager
 - No longer required to perform calibrations from UCC Server
- Combine Fixed Quill Head Touch with 5 Axis Head Touch for complex geometry
 - Complex 2D Curve
 - Round Slot

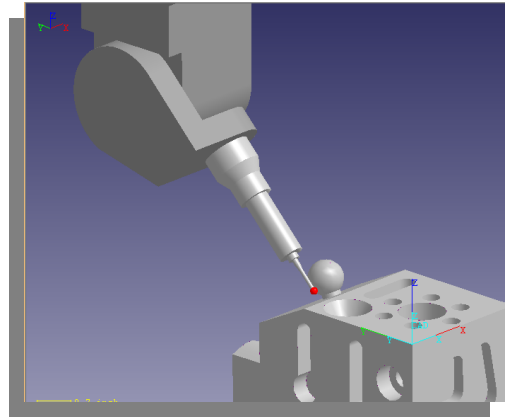


3. TESA Motorized Probe Head Support

- TESASTAR-M
- TESASTAR-SM
- 5 and 7.5 Degree Increments

4. AS9102 Report Output

- Direct Conversion of Excel Report to AS9102



5. Handheld / Portable Enhancements

- Improved View Manipulations
- Save Layout For Tactile Measure in Focus
- Increased Tactile Scanning Speed for iGPS & Romer Arm
- Added Tactile Scanning / Guided Measure to Nikon Metrology API

6. NIST Traceable Fitting Algorithm Test

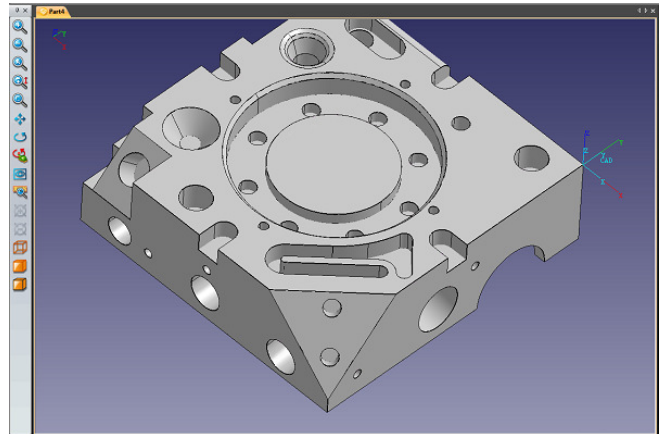
- Verify CMM-Manager Fitting Algorithms by importing NIST data-points and comparing feature fit results to known NIST feature results

7. Shaded Edge CAD Display

- Added Shaded Edge CAD Display
- Added Toolbar buttons that toggle from Shaded, Wireframe and Shaded Edge

8. Additional Enhancements

- New Shop Floor Launcher Icons
- Allow Reversed Web Wheel Action for Zooming
- Display Target Features for Canned Alignment at Program Run Time
- Added Form Only Profile Support



- End -