

WHAT'S NEW IN CMM-Manager - 3.9

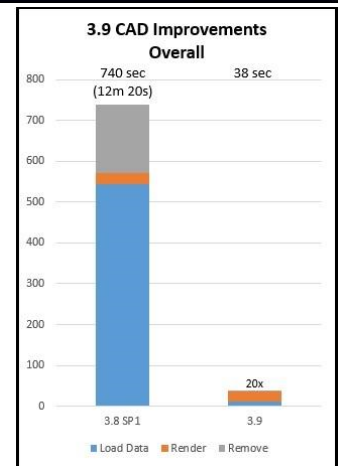
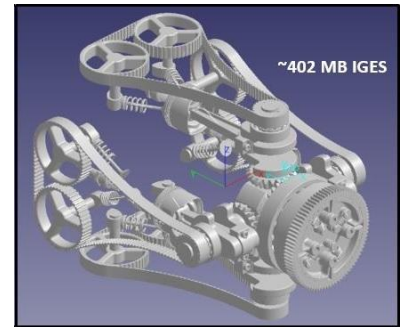


June 7, 2019

Nikon Metrology, Inc.

Nikon Metrology is pleased to announce the release of CMM-Manager version 3.9. This release adds the following enhancements:

- Improved Large 3D CAD Performance
 - Multi-Threading for **20x** faster CAD import
 - Faster Auto-Normal, Best-Fitting & CAD Editor
 - Faster Open & Save Projects containing CAD
- 3D Graphics Rendering Performance
 - **Faster & Smoother** display of large CAD
 - Less CPU demand due to GPU rendering
 - Updated OpenGL rendering
 - Vertex Buffer Objects (VBOs)
- Added ISO 1101:2017 GD&T
 - User setting for **ISO or ASME** GD&T
 - Parallelism, Perpendicularity
 - Angularity, Symmetry
 - Concentricity, Runout
 - Position, Profile
- Vision System Updates
 - New CAD-teach Edge Point
 - DCC Re-measure for faster joystick programming
 - Save composite image output after Image Stitching
 - Set Runtime images as Graphical Report background
 - New Max Focus Point image tool
 - VBScript variable from Light Value Tool
 - Manual Optical License for Measuring Microscopes and Optical Comparators
- Robot / PLC / Automation
 - Error reporting & recovery allows improved unattended operation



Language Support:

- English, Chinese, French, German, Japanese, Polish, Spanish, Czech and Italian

PC Requirements:

- CPU ----- Intel i7 / AMD FX 3.0 GHz or above
- OS ----- 32 / 64 bit - Windows 7, 8, 10 – Pro, Ultimate, or Enterprise
- Disc / Ram ----- 500 GB / 8 GB or more recommended
- Graphics ----- 1920 x 1080 - On-board or Dedicated - NVidia / AMD / Intel
- PCI Slot ----- Mini tower to accommodate full height PCI card if needed